

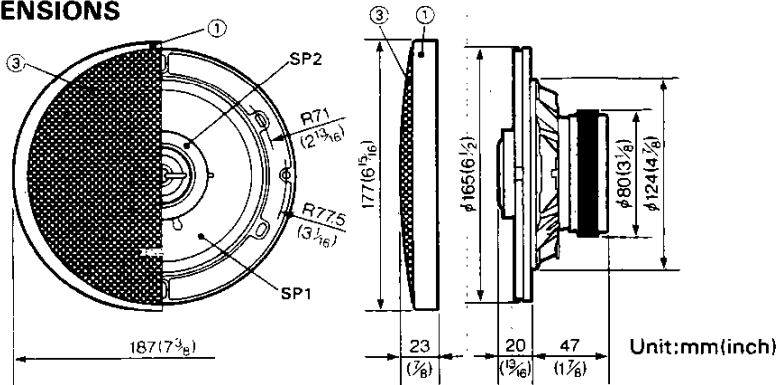
KFC-S160

SERVICE MANUAL

KENWOOD
Q.C.
COPY

©1990-4 PRINTED IN JAPAN
 B51-6187-00(T) 1232

DIMENSIONS

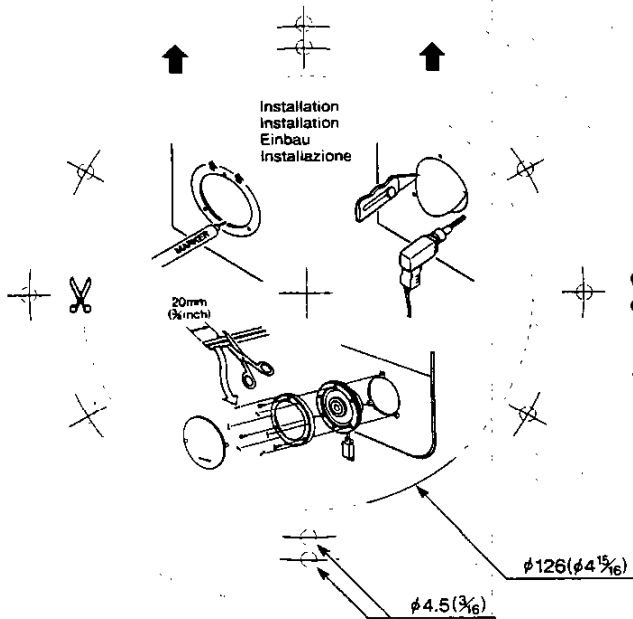


PARTS INCLUDED

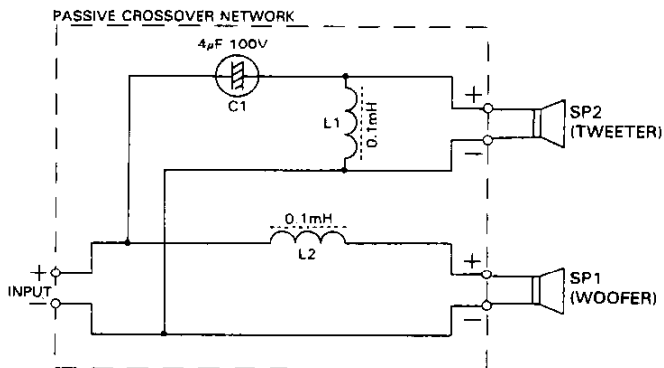
- ② 4.5m (15ft) X2
- ④ $\phi 4 \times 30 (\phi 3/16 \times 1 3/16)$ X8
- ⑤ $\phi 4 \times 16 (\phi 3/16 \times 5/8)$ X8
- ⑥ X8
- ⑦ X2

INSTALLATION

TEMPLATE GABARIT SCHABLONE MASCHERINA



NETWORK



CONNECTIONS

